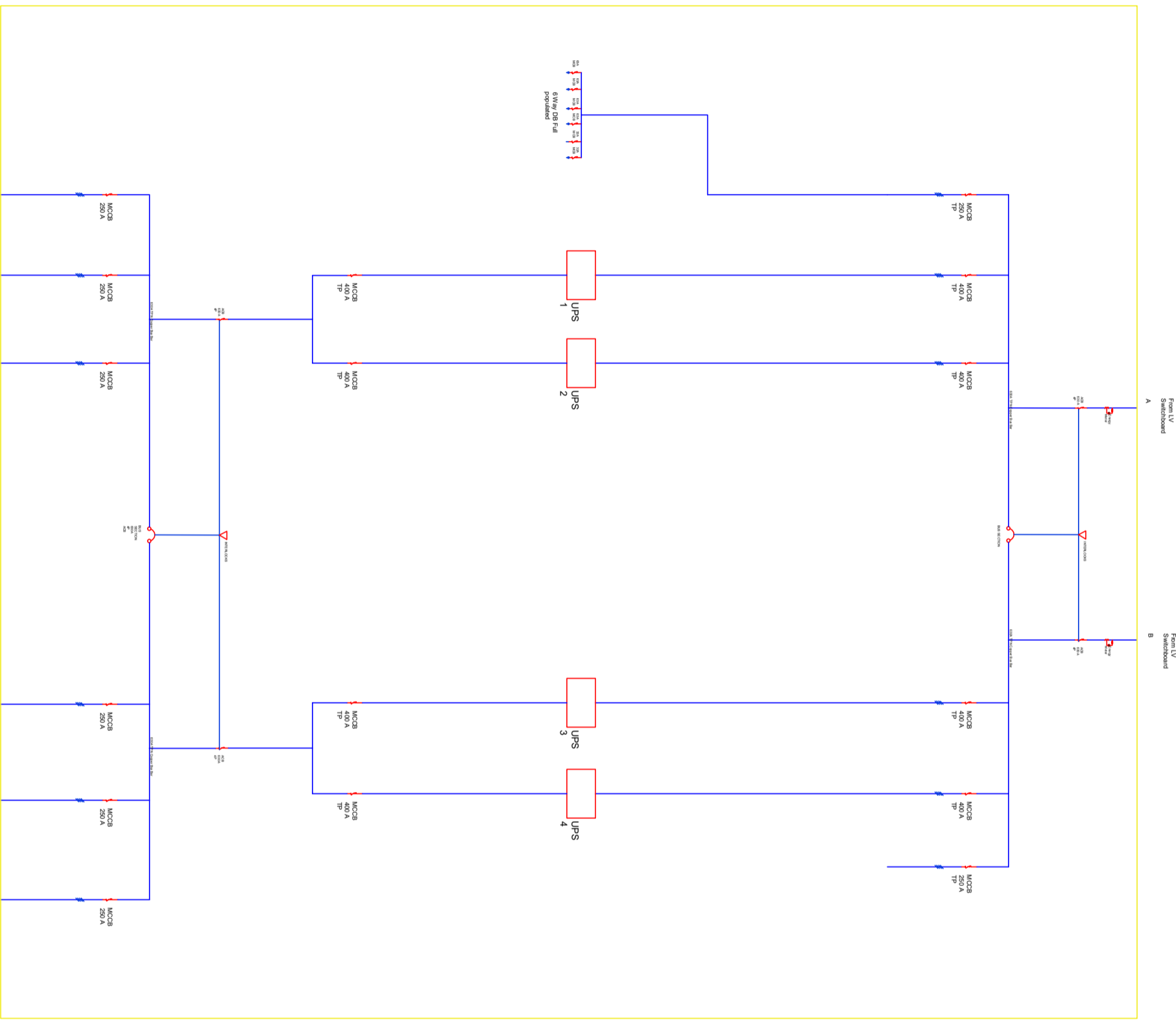


Type F



- GENERAL NOTES**
- All dimensions in the drawing are in MM
 - Do not scale from this drawing. Use figured dimensions ONLY
 - All Drawings must be read in conjunction with architectural and mechanical Engg. layouts
 - positions of outlets to be marked and approved prior to installation of boxes
 - The positions of various electrical items as shown on the drawings are provisional. Final positions to be indicated in the detailed working drawings
 - The contractor shall check all door swings and ensure the switches are installed on the lock side

NO	REVISION NOTES

Project: **NEW LV SWITCHBOARD FOR ELECTRICITY HOUSE NAIROBI.**

Client: **KENYA POWER**

Drawing Title: **DRC LV SWITCHBOARD ONE LINE DIAGRAM**

Scale:	Job No.:
Drawing No. 04	Revision No.:
Date: JAN 2019	Design: CKM
	Drawn: CKM
	Checked: JMM
	Architect: